



Brue
Upholstery



a stylish upholstery option

Brue fuses a classic attitude with a contemporary shape that is simple, yet memorable. Brue's strong architectural presence works well individually or as part of a group. The sloping back and fluid side panel give it a distinctive, 3-dimensional value, while avoiding an excessive footprint.



Brue

Upholstery

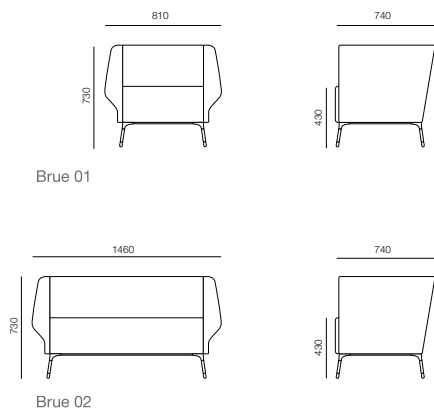
Standard Product Information

Frame: Ply & Hardwood glued & screwed

Foam: Vitafoam Reflex

Leg: Brackets Cast Aluminium

Legs: Chromed Tubular Steel



www.orangebox.com